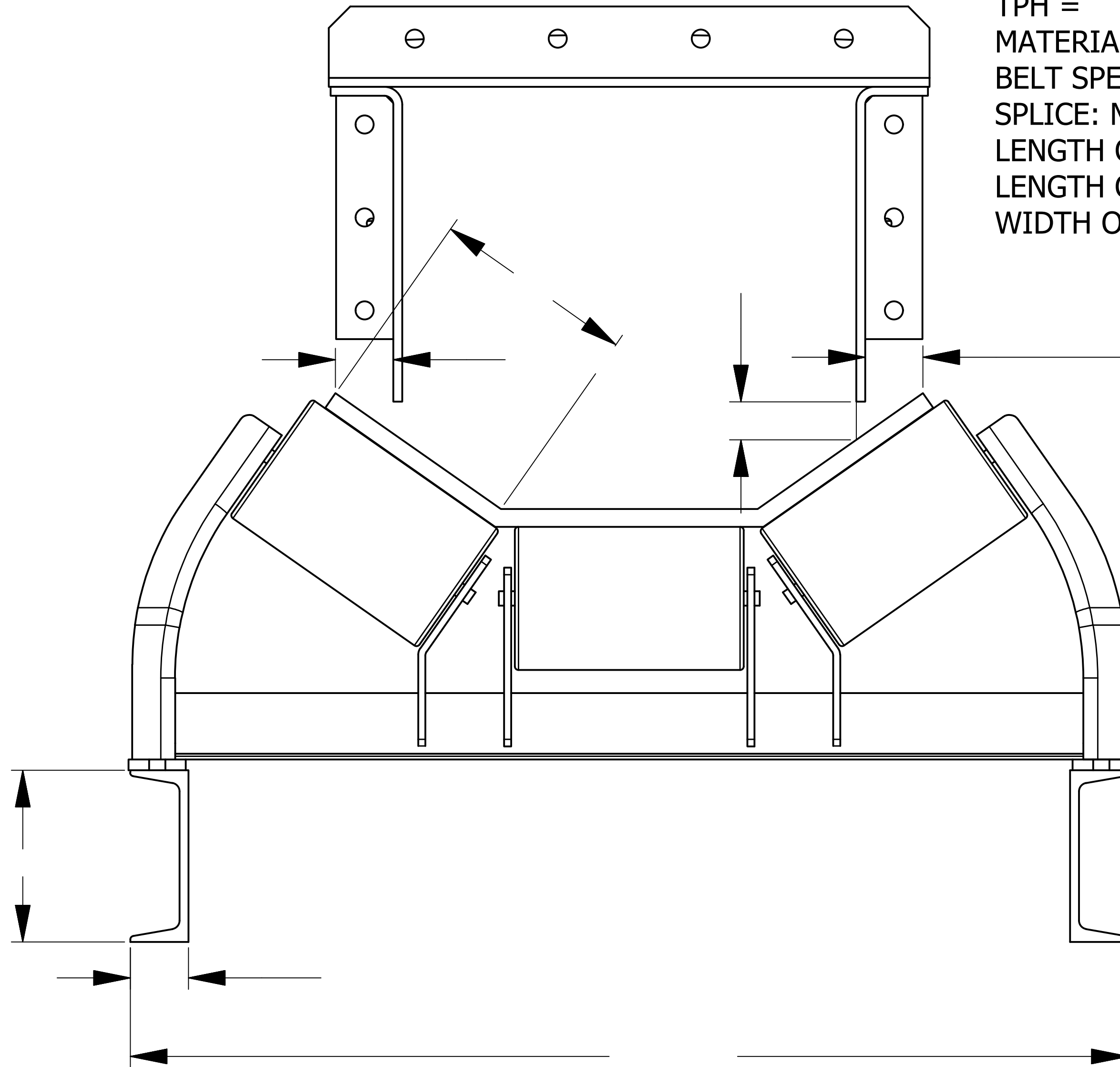
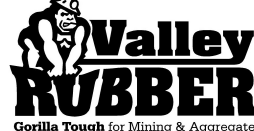


NOTES: UNLESS OTHERWISE SPECIFIED

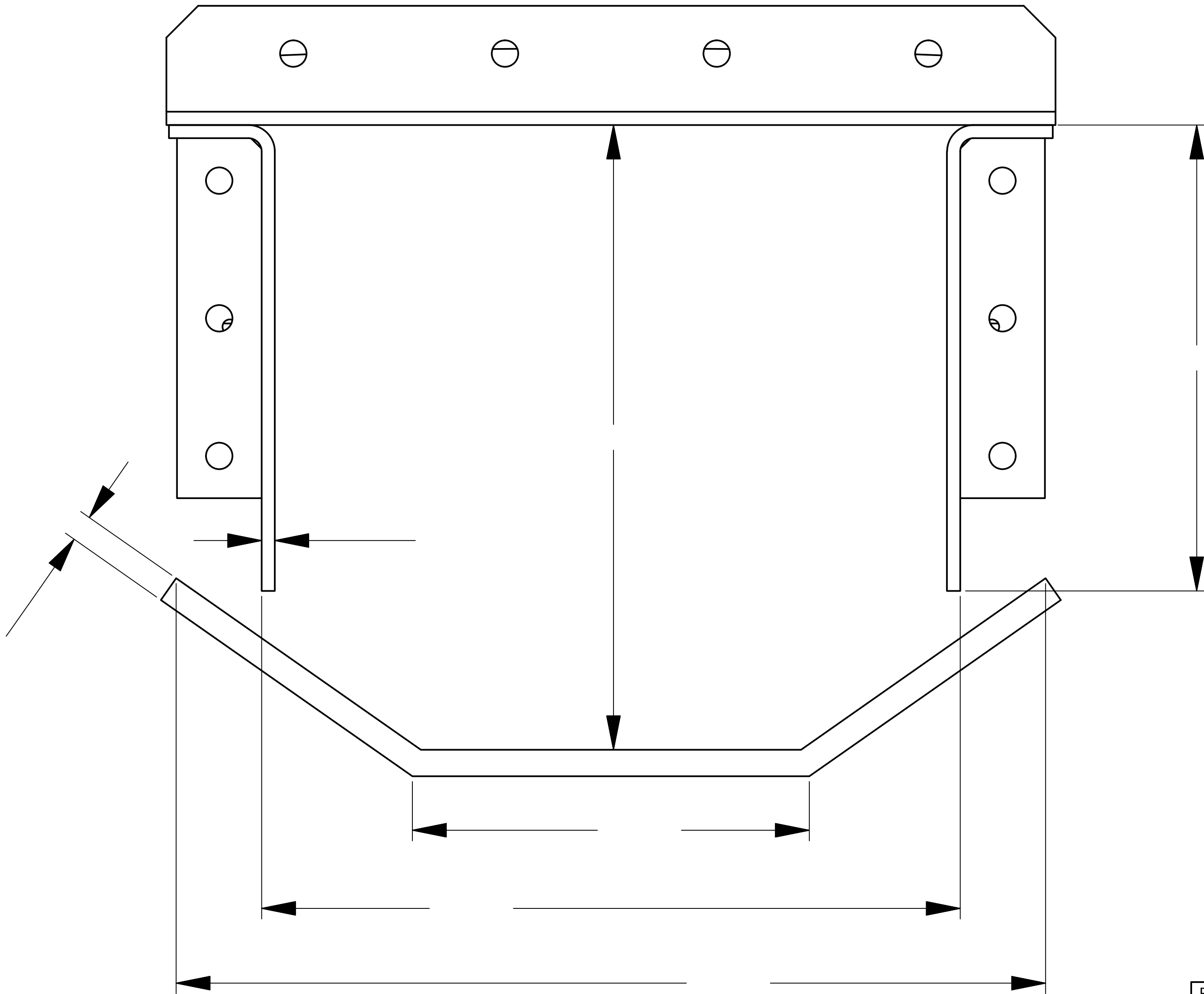
100. ALL DIMENSIONS ARE INCHES AND VALUES ARE IN U.S. CUSTOMARY UNITS.

TPH =  
 MATERIAL & SIZE =  
 BELT SPEED, FPM =  
 SPLICE: MECH OR VULC =  
 LENGTH OF CANOE =  
 LENGTH OF LOAD SHOE =  
 WIDTH OF LOAD SHOE =



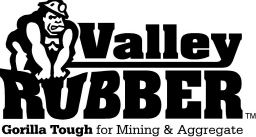
PROJECT & DESCRIPTION	
CUSTOMER & LOCATION	
DRAWN BY	
DRAWN DATE	
IDLER MFG	
IDLER P.N.	
File NO	
RLES1201_02857_FN.idw	1617 Water St. Suite W Minden, NV 89423 PHONE (775) 782-8311 SHEET 1 OF 3

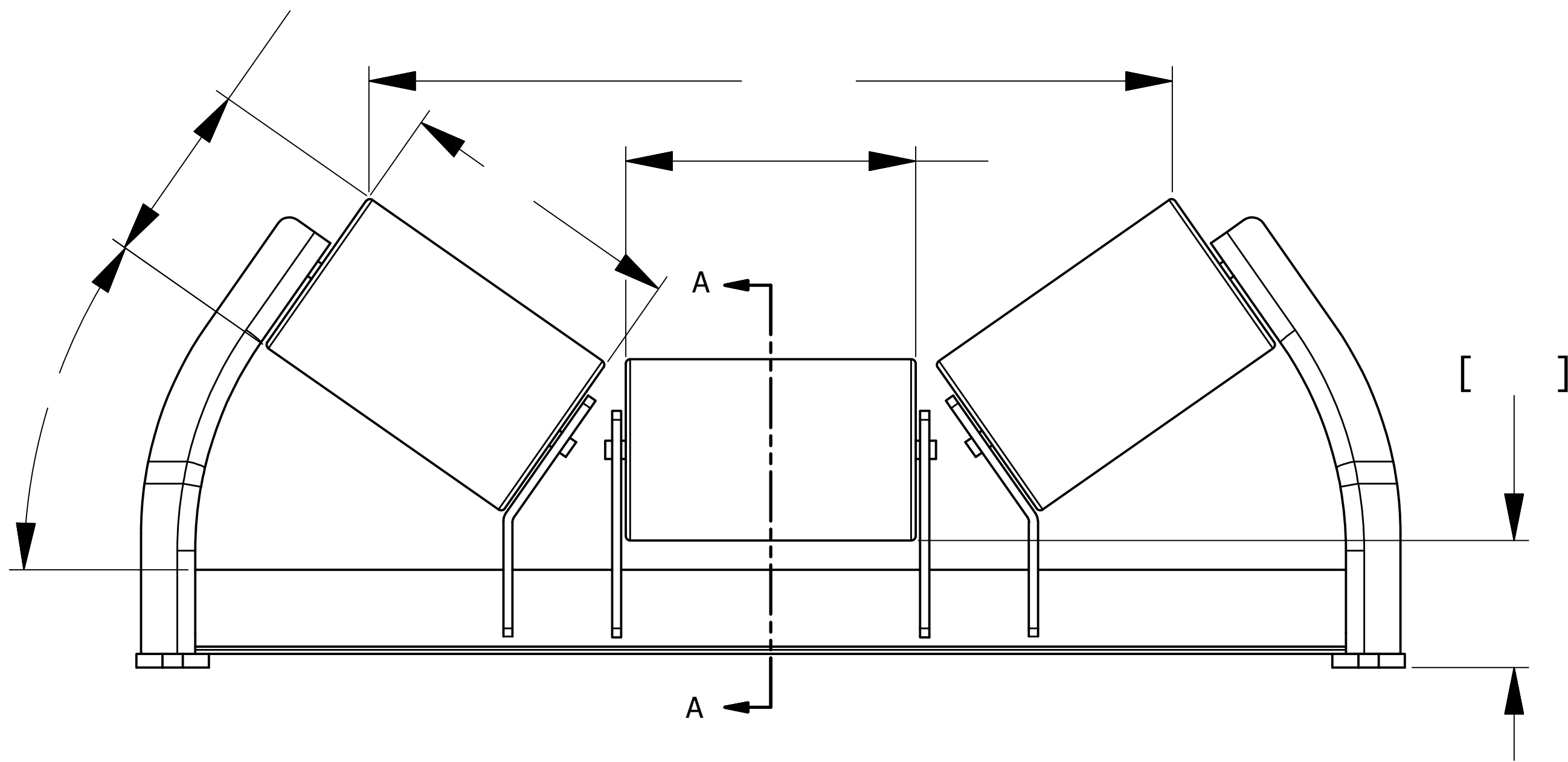
# Conveyor Tail & Dust Seal Kit



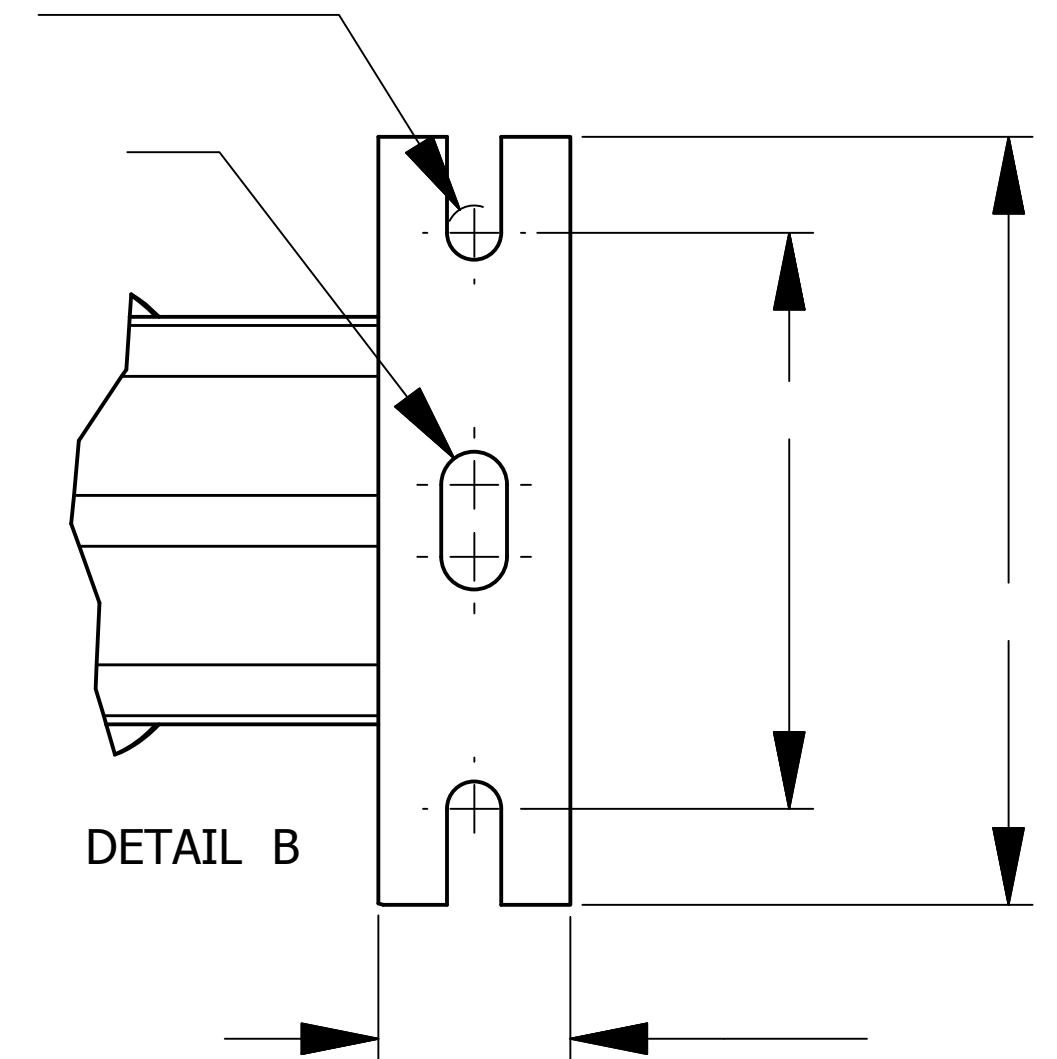
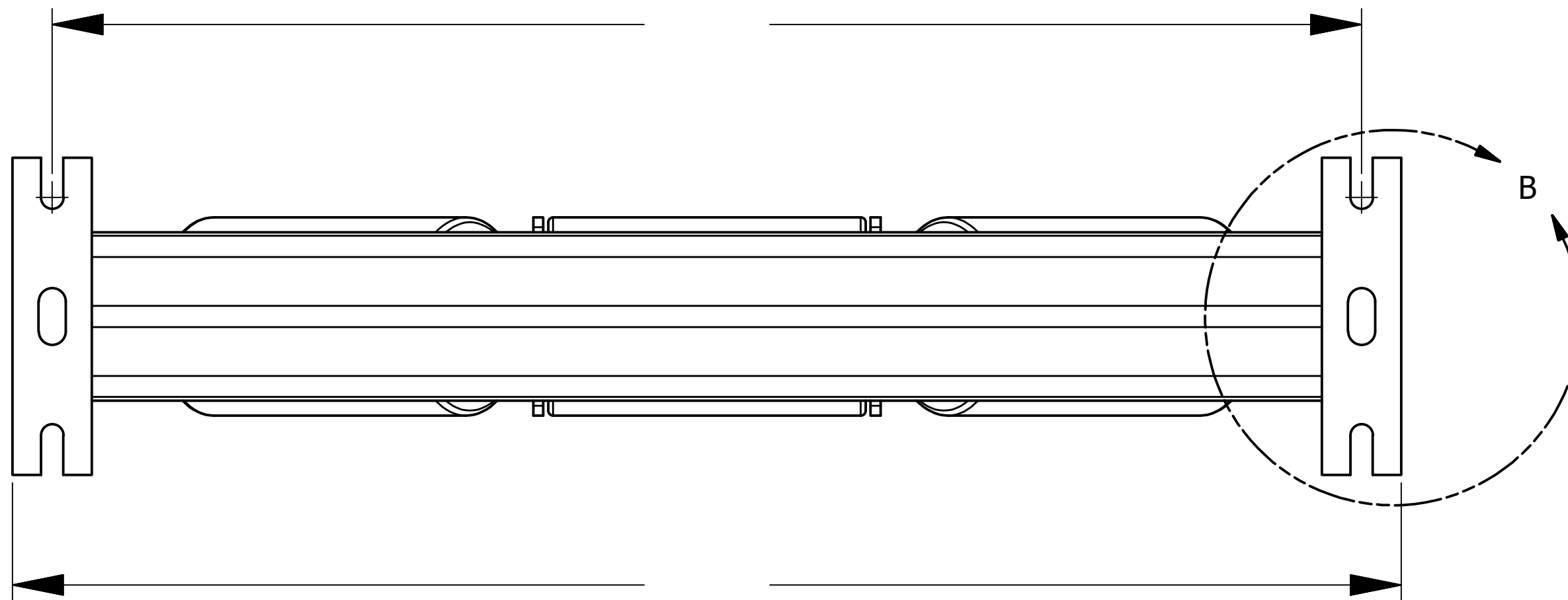
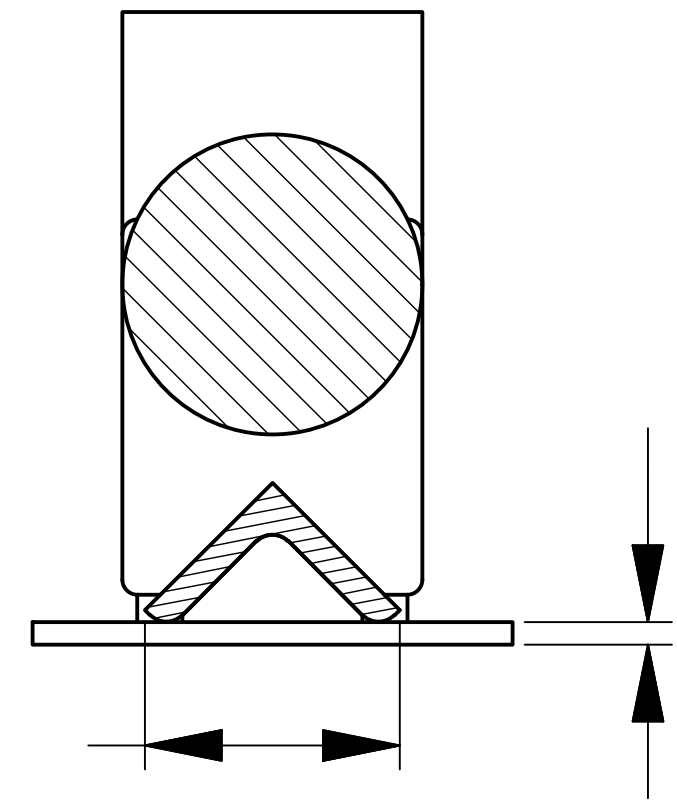
# Conveyor Tail & Dust Seal Kit


DRAWN BY	
DRAWN DATE	
IDLER MFG	
IDLER P.N.	
File NO	RLES1201_02857_FN.idw

PROJECT & DESCRIPTION	
CUSTOMER & LOCATION	
	1617 Water St. Suite W Minden, NV 89423 PHONE (775) 782-8311
SHEET 2 OF 3	



SECTION A-A



PROJECT & DESCRIPTION	
CUSTOMER & LOCATION	
DRAWN BY DRAWN DATE IDLER MFG IDLER P.N. File NO	RLES1201_02857_FN.idw  1617 Water St. Suite W Minden, NV 89423 PHONE (775) 782-8311 SHEET 3 OF 3

# Conveyor Tail & Dust Seal Kit